

NITECORE®

The All-Round Flashlight Expert

TM 26GT

User Manual

Features

- Small and lightweight 3500-lumen LED Flashlight
- Utilizes 4 x CREE XP-L HI V3 LEDs
- Integrated multi-function OLED display
- Incorporates Precision Digital Optics Technology (PDOT) Maximum intensity of 124,000cd Beam distance up to 704 meters
- Thermal protection circuit prevents overheating
- Compatible with both 18650 Li-ion and CR123 batteries
- Intelligent charging circuit with voltage detection for safe and fast charging
- Exceptionally long runtime using 4 x 18650 Li-ion or 8 x CR123 batteries
- Capable of running on 1 x 18650 or 2 x CR123 batteries in emergency situations
- Eight rapidly switchable brightness levels and modes to select from
- Innovative single button two-stage switch provides a user-friendly interface (Chinese Patent: Z L201120062948.1)
- Toughened ultra-clear mineral glass with anti-reflective coating
- A power indicator built into the on/off switch indicates remaining battery power (Chinese Patent: ZL201220057767.4)
- Stainless steel bezel ring protects core components from damage
- Constructed from aerospace-grade aluminum alloy
- HAIII military grade hard-anodized
- Waterproof in accordance with IPX8 (two meters submersible)

Dimensions

Length: 142mm (5.6")
 Head diameter: 68 mm (2.68")
 Head side-length: 57mm (2.24")
 Tube diameter: 50mm (1.96")
 Weight: 442g (15.50oz) (without battery)

Accessories

Charger, quality holster, lanyard, and spare O-ring

Battery Options

	TYPE	Nominal voltage	Compatible
18650 Rechargeable Li-ion battery	18650	3.7V	Yes (Recommended and can be recharged)
Primary Lithium battery *	CR123	3V	Yes (Compatible but can NOT be recharged)
Rechargeable Li-ion battery *	RCR123	3.7V	Yes (Compatible but can NOT be recharged)

Warning: Charge 18650 rechargeable Li-ion batteries only. Do not attempt to charge non-rechargeable batteries, CR123 or RCR123 batteries.
 *Nitecore 18650 are recommended to ensure complete compatibility.

Output & Runtime

FL1 STANDARD	TURBO	HIGH	MID	LOW	LOWER	STORBE	SOS	BEACON
	3500 LUMENS	1700 LUMENS	540 LUMENS	95 LUMENS	3 LUMENS	3500 LUMENS	3500 LUMENS	3500 LUMENS
	1h 15min	3h 15min	9h 45min	48h	1000h	—	—	—
	704m	433m	261m	138m	18m	—	—	—
	124000cd	46980cd	17100cd	4760cd	83cd	—	—	—
	1m (Impact Resistant)							
	IPX8, 2m (Waterproof AND Submersible)							

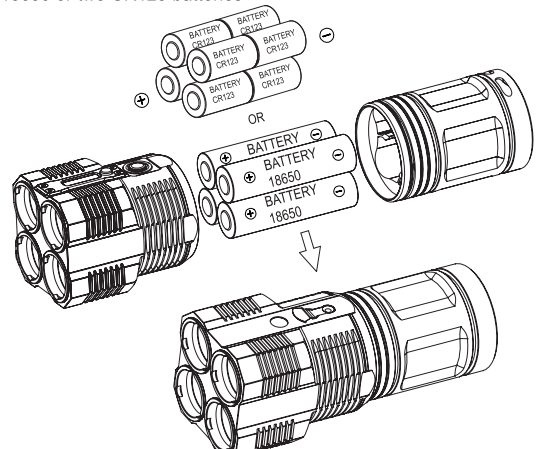
NOTICE

The above data has been measured in accordance with the international flashlight testing standards ANSI/NEMA FL1 using 4 x 18650 (3.7V 3400mAh) under laboratory conditions. The data may vary during real-world use due to battery type, individual usage habits and environmental factors.

Operating Instructions

Battery Installation

Unscrew the battery compartment, insert 4 x 18650 Li-ion or 8 x CR123 batteries with the positive (+) ends pointing toward the flashlight head. Tighten the battery compartment. In special circumstances, TM26GT can run on as few as one 18650 or two CR123 batteries.



Note 1: Using less batteries than standard specification increases battery output voltage, and may lead to potential dangers. Nitecore recommends using this feature only when necessary and for short periods of time. Please see point number 1 in the warning section below.

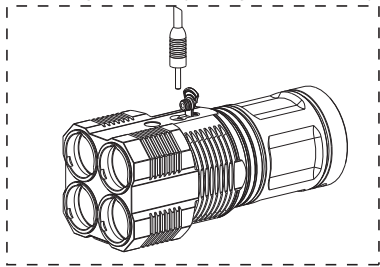
Note 2: After installing batteries, "NITECORE" will be displayed on the OLED screen for 2.5 seconds followed by battery voltage (accurate to 0.01V) for 4 seconds, after which the TM26GT will enter into standby mode.

WARNING

1. Using less than 4 x 18650 or 8 x CR123 batteries can lead to turbo mode malfunctioning, trigger the overload protection circuit in Li-ion batteries and can even lead to explosion of batteries. As such Nitecore recommends that this function is used with caution and only when necessary.
2. Insert batteries with the positive (+) ends pointing outward.
3. Do not mix rechargeable and non-rechargeable batteries.
4. Do not mix batteries of different types/brands.
5. Do not mix batteries of different charge levels.
6. Do not use lithium batteries without a protection circuit board.
7. This product does not support unprotected flat-top 18650 Li-ion batteries. Please also ensure that all the 18650 batteries used in the TM26GT have a button top configuration or they will not make contact with terminals in the battery compartment. We recommend Nitecore 18650 batteries for the best performance and reliability.

Charging the TM26GT

1. Connect the charging cable to the flashlight and the A/C power adapter to the wall outlet as shown in the adjacent image. Fully charging four depleted 18650 batteries takes approximately 7 hours.
2. Under normal charging conditions, the on/off switch's blue indicator light will blink twice every second and the OLED screen will display the word "Charging..." together with battery voltage.
3. If a problem is detected during charging, the TM26GT will stop charging, the blue indicator will blink rapidly and the OLED display will show the word "ERROR". This is usually caused by faulty or incorrectly inserted batteries.
4. When charging is complete, the blue indicator will remain on, and "CHG.FINISHED" along with battery voltage will be displayed on the OLED screen.



Thanks for purchasing NITECORE!

NITECORE®

The All-Round Flashlight Expert

General Operation

NB: The TM26GT utilizes a 2-stage switch. The light's numerous functions can be accessed according to the depth the switch is pressed. The TM26GT has two modes: Daily mode and Search mode. With the TM26GT turned off, pressing the switch partway down will activate Daily mode. Alternatively, with the TM26GT turned off, pressing the switch all the way down will activate search mode. The TM26GT is turned off by pressing the switch all the way down.

Brightness Selection in Daily Mode

1. In Daily mode, press the switch partway down to select a brightness level of ultra-low, low, medium or high. The selected brightness level will be memorized when the light is turned off.
2. In Daily mode, press the switch partway down and hold to enter turbo mode. A second partway press will revert back to the brightness level last used.

Brightness Selection in Search Mode

In Search mode, press the switch partway down to cycle between high and turbo-high levels. There is no memory effect in Search mode.

Momentary Daily / Search Mode

1. With the TM26GT turned off, press the switch partway down and hold to activate Momentary Daily mode. Release the switch to turn the light off again.
2. With the TM26GT turned off, press the switch all the way down and hold to enter Momentary search mode. Release the switch to turn the light off again.

Standby Mode

With the TM26GT turned on, press the switch all the way down and release within one second to enter standby mode. In this mode, the light will consume small amounts of power to maintain the settings in the MCU (Micro Control Unit). When in standby mode the power indicator light will flash once every three seconds to show the location of the light.

OLED Display

1. When the TM26GT is turned on, the OLED display will activate automatically and show lumen output, brightness mode, battery voltage, battery status, approximate runtime and temperature. After displaying this information for several seconds the OLED display will turn off. The display can be reactivated by pressing the display switch and the information can be cycled through with subsequent presses of the switch.
2. When in Standby mode, a single press on the OLED display switch will activate the OLED and display battery voltage for 10 seconds.
3. When using Nitecore's NBP52 high-performance battery pack, the actual runtime will be twice the figure displayed on the OLED panel.

Note: The TM26GT has an integrated thermal protection circuit which prevents overheating. Please refer to the "Thermal protection" section of this manual for details.

Special Strobe / SOS mode and Location Beacon

With the light turned on, press the switch all the way down twice in quick succession to access strobe mode. When in strobe mode, press the switch partway down to cycle through SOS, location beacon and strobe modes. To select any of these modes simply release the switch when it is displayed. To turn off the light (enter into standby mode) fully press and release the switch.

Note: When in any of the special modes, the OLED display will remain on to display which mode is being used.

Demonstration Mode

When entering standby mode simultaneously press and hold the display switch and the on/off switch to enter into Demonstration mode. In Demonstration mode, the OLED screen will cycle through the TM26's various messages. Simply press any button to exit Demonstration mode.

Lockout Function

With the light turned on, press the switch all the way down and hold for more than one second. The light will turn off and enter lockout mode. Lockout mode consumes almost no battery power and prevents the light from accidental activation. Simply press and hold the switch all the way down for more than one second to exit lockout mode.

Note:

1. If the display button is pressed in lockout mode, the OLED display will show

the words "LOCK OUT" as a reminder.

2. When TM26GT is kept in a backpack or left unused for extended periods, Nitecore recommends the battery compartment is loosened to cut off the power entirely, thus saving battery power and preventing accidental activation of the flashlight.

Power Tips

1. With the light turned, the power indicator will blink once every two seconds when power levels are below 50%.
2. With the light turned, the power indicator will blink rapidly when power levels are below 10%.

Note: When the light is being used in ultra-low mode, the blue power indicator will turn off to help conserve power.

Thermal Protection

As the TM26GT is very compact, extended operation in Turbo mode will cause the body temperature to continually rise, thus, making it too hot to comfortably hold. As a result, Nitecore does not recommend using the TM26 in Turbo mode for extended periods. The TM26 has an integrated thermal protection circuit which prevents overheating. With the light turned on in Search/Turbo mode, for user safety and to protect the flashlight from failure, the TM26 will automatically reduce its output to prevent overheating once it has reached 60 degrees.

Precaution: When the flashlight is hot, do not attempt to cool it by submerging it in liquid. Due to the differences in internal and external air pressure the TM26 may suffer irreparable water damage.

Changing / Charging Batteries

When the power indicator blinks rapidly it means the batteries need to be replaced or recharged. Alternatively if the light becomes dim or unresponsive to adjustment this also indicates batteries need to be replaced or recharged.

Maintenance

Every 6 months, threads should be wiped with a clean cloth followed by a thin coating of silicon-based lubricant.

Warranty Service

All NITECORE® products are warranted for quality. Any defective / malfunctioning NITECORE® product can be repaired free of charge for a period of 60 months (5 years) from the date of purchase. Beyond 60 months (5 years), a limited warranty applies, covering the cost of labor and maintenance, but not the cost of accessories or replacement parts.

The warranty is nullified in all of the following situations:

1. The product(s) is/are broken down, reconstructed and/or modified by unauthorized parties.
2. The product(s) is/are damaged through improper use.
3. The product(s) is/are damaged by leakage of batteries.

For the latest information on NITECORE® products and services, please contact a local NITECORE® distributor or send an email to service@nitecore.com

※All images, text and statements specified herein this user manual are for reference purpose only. Should any discrepancy occurs between this manual and information specified on www.nitecore.com, information on our official website shall prevail. Sysmax Industry Co., Ltd. reserves the rights to interpret and amend the content of this document at any time without prior notice.



Please find us on facebook: NITECORE Flashlight



SYSMAX Industry Co., Ltd.

TEL: +86-20-83862000

FAX: +86-20-83882723

E-mail: info@nitecore.com

Web: www.nitecore.com

Address: Rm 2601-06, Central Tower, No.5 Xiancun Road, Tianhe District, Guangzhou, 510623, Guangdong, China



TM13026GT18

Thanks for purchasing NITECORE!